

Recessed CE7035

CE7035-A90



CE7035-A90

Basic Parameters

Application	Indoor
Material	AL6063-T5,spraying surface
IP Grade	IP20
Warranty	5 years

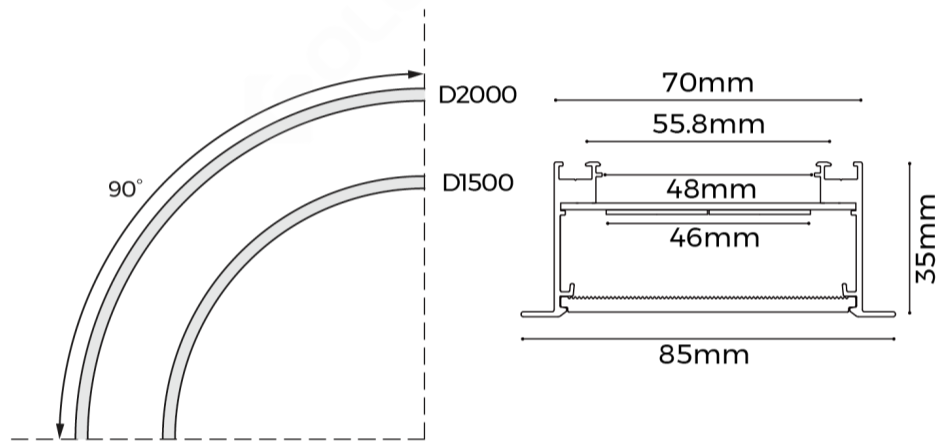
Electrical Parameters

Optical Parameters

Length	D1500mm,D2000mm
Luminous Efficacy	85LM/W



Dimensions

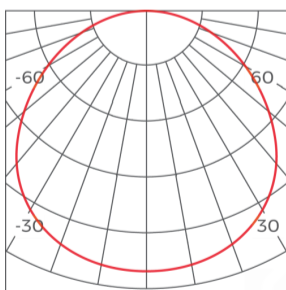


Luminaire Parameters

Version	Size(mm)	Power(W)	PCB Current(A)	CRI	CCT	Lumens(LM) @White, Silver	Lumens(LM) @Black
Regular	D1500mm	72	3	>80	4000K	6120	5202
Regular	D2000mm	89	3.71	>80	4000K	7565	6430
Regular	D1500mm	72	3	>90	4000K	5263	4473
Regular	D2000mm	89	3.71	>90	4000K	6505	5530

Light Distribution

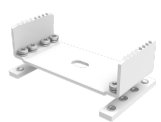
Regular-110°



h(m)	D(cm)	E(lx)
1	285	1514
2	571	364
3	856	155
4	1142	87

Common Accessories

Splicing accessory



EX-E17

Applicable product model: CS7035/
CE7035 Material process:SPCC/ Electroplating
Size: L66.5*W30*H18mm
Quantity: 1 PCS/SET Other:Includes mounting screws.

Dedicated light source



DM51202423

Applicable product model: CS5035/CS5070/CE5035(stick a single strip)
CS7035/CS7070/CE7035(paste two strips placed parallel to each other)
Size: 4000*23*1.5mm/5000*23*1.5mm
Cutting Unit:50mm
Input Voltage:DC24V
Typ.Power:14.4W/M(5M/roll); 24W/M(4M/roll)
Typ.luminous flux:
800LM/M@RGBNW(5M/roll)
1320LM/M@RGBNW(4M/roll)
CCT:RGB(DMX)+2700/RGB(DMX)+3000/RGB(DMX)+4000/RGB(DMX)+6000K
CRI: RA80 @ white light
Other:20# wire diameter,outer diameter 5.5mm, PVC material;5PIN red/black/green/blue/white wire



DS81602423

Applicable product model: CS5035/CS5070/CE5035(stick a single strip)
CS7035/CS7070/CE7035(paste two strips placed parallel to each other)
Size: 4000*23*1.5mm/5000*23*1.5mm
Cutting Unit:50mm
Input Voltage:DC24V
Typ.Power:14.4W/M(5M/roll); 24W/M(4M/roll)
Typ.luminous flux:
2300LM/M@RA80,4000k(5M/roll)
3600LM/M@RA80,4000k(4M/roll)
CCT: 2700/3000/3500/4000/5000/6500K
CRI: 80/90
Other:18# wire diameter,PVC material, 2PIN red-black wire



DS83202423

Applicable product model:CS5035/CS5070/CE5035(stick a single strip)
CS7035/CS7070/CE7035(paste two strips placed parallel to each other)
Size: 3000*23*1.5mm/4000*23*1.5mm
Cutting Unit:50mm/16LEDs
Input Voltage:DC24V
Typ.Power:
48W/M(2700K+6500K)@3M/roll
28.8W/M(2700K+6500K)@4M/roll
Typ.luminous flux:
4000LM/M@RA80,2700K+6500K(4M/roll)
6700LM/M@RA80,2700K+6500K(3M/roll)
CCT: 2700K+6500K
CRI: 80/90
Other:Outer diameter 6mm,18# wire diameter, brown-blue-green 3PIN crystal wire

Cover



CV-CS7035D

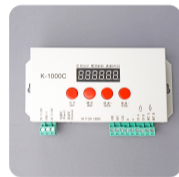
Applicable product model:CS7035/CS7070/CE7035(suitable for down-lighting)
Diffuser Nature: Diffuser
Material process: Silica gel flexible/Smooth
Light transmittance:≥65%
Size: 20000*67.2*5mm
Other: Fire protection rating UL94-V2 ;

Controller



CR2-GBA

Product Name: CR2-GBA Input Voltage: 12-48V Output Current:8A*2CH,Max 16A Output Power:192W/384W@12V/24V , 384W/576W@36V/48V Dimming Mode: Two-color 2.4 remote control IP:IP20 Product Size:L175*W45*H27(mm)



K-1000C

Product Name: K-1000C Input voltage: 5-24V Control Pixel Points:Point Control 1CH*1024(SPI),Point Control 1CH*512(DMX) Dimming mode: DMX/SPI control IP:IP20Warranty: 5 years



K-8000C

Product Name: K-8000C Input Voltage: 5-24V Control Pixel Points:Point Control 8CH*1024(SPI),Point Control 8CH*512(DMX) Dimming mode:DMX/SPI control IP:IP20Warranty: 5 years

End cap accessory



EC-ME7035

Applicable product model: ME7035
Material process: aluminum/ powder spraying Size: L85*W35*H2.5mm Quantity:2PCS/ set

Installation accessory



CP-55

Applicable product model: MS7035/MS7070/ME7035 Applicable installation: Pendant/Ceiling/Recessed Material process: Stainless Steel Size: L57.87*W20*H5.4mm Quantity: 4 PCS/SET



RB-04

Applicable product model: ME3535/ME5035/ME7035 Installation method: Recessed Material process: aluminum alloy/oil spray Size: 24*6.9*15.7mm Quantity: 4PCS/ set

CCT-Remote control



R7-1

Product Name:R7-1 Dual Color Remote Working Voltage : 3VDC (Battery CR2032 Operating Frequency:2.4GHz Remote Control Distance: 30 meters Operating Temperature: -30°C~55°C Product Size: L107*W58.5*H9(mm)

Power Supply



BK-DEV200-24V0D
 Applicable product model: General
 Dimming mode: DALI2,PUSH-dimming,1-10V 3in1 dimming
 Size: 361*33.1*22.8mm
 Input voltage: AC200-240V
 Operating frequency: 50/60Hz
 PF value: ≥0.9
 Output voltage: DC24V
 Output current: ≤8.3A
 Power: 200W
 Efficiency: 0.92
 Certification: TUV, CE, RCM
 Case material: Metal housing



BK-DGVX-24V0D
 ProductName: BK-DGV036-24V0D/BK-DGV060-24V0D/BK-DGV100-24V0D
 Applicable product model: General
 Output power: 36W/60W/100W
 Output current: ≤1.5A/≤2.5A/≤4.2A
 Product size: 245.0*30.0*21.0mm/285.0*30.0*21.0mm/355.0*30.0*21.0mm
 Input voltage: AC200-240V
 Operating frequency: 50/60Hz
 Output voltage: DC24V
 PF value: ≥0.9
 Efficiency: ≥0.88
 IP: IP20
 Dimming mode: DALI-2,PUSH-Dimming,1-10V 3in1 Dimming
 Certification: CE, ENEC, UKCA, RCM, CCC, EL
 Material: Metal housing
 Warranty: 5 years



BK-MEV200-24V0M
 Applicable product model: General
 Dimming mode: 1-10V Dimming
 Size: 321.5*48*30mm
 Input voltage: AC200-240V
 Operating frequency: 50/60Hz
 PF value: ≥0.9
 Output voltage: DC24V
 Output current: ≤8.3A
 Power: 200W
 Efficiency: 0.93
 Certification: CE, ENEC, UKCA, RCM, CCC, EL
 Case material: Metal housing



BK-MGVX-24V0M
 ProductName: BK-MGV036-24V0M/BK-MGV060-24V0M/BK-MGV100-24V0M
 Applicable product model: General
 Output power: 36W/60W/100W
 Output current: ≤1.5A/≤2.5A/≤4.2A
 Product size: 245.0*30.0*21.0mm/285.0*30.0*21.0mm/355.0*30.0*21.0mm
 Input voltage: AC200-240V
 Operating frequency: 50/60Hz
 Output voltage: DC24V
 PF value: ≥0.9
 Efficiency: ≥0.89
 IP: IP20
 Dimming mode: 1-10V Dimming
 Certification: TUV, CE, ENEC, RCM
 Material: Metal housing
 Warranty: 5 years



LF-GHYXH24
 Applicable product model: General
 Dimming mode: Non-Dimming
 Size: 316*30.7*22.8mm / 361*33.1*22.8mm
 Input voltage: AC220-240V
 Operating frequency: 50/60Hz
 PF value: ≥0.9
 Output voltage: DC24V
 Output current: ≤4.25A / ≤10A
 Power: 100W / 240W
 Efficiency: 0.92
 Certification: ENEC, CE, CB, RCM, UKCA, MM, CCC
 Case material: Plastic

Packing

QTY/CTN	N. WT (ctn)	G.WT (ctn)	Size (cm/carton)	Product Size (mm)
15	17.4	19.14	113.5*68*21	D1500*70*35mm
12	13.4	14.74	148*68*21	D2000*70*35mm